

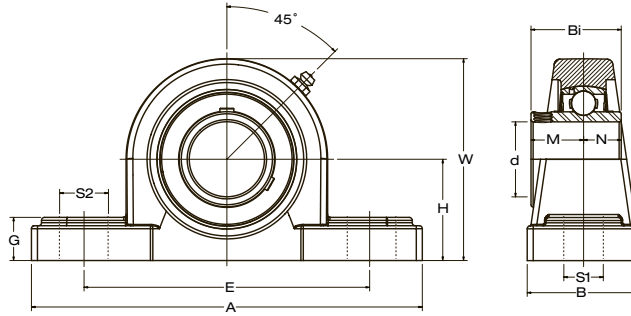
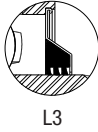
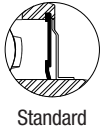
UCP 200 SERIES

Normal-Duty Pillow Block
Setscrew Lock

TURNER

Mounted Bearings

Available Seal Styles:



Bearing Number	Shaft Dia. d in. mm.	Dimensions in. mm.											Bolt Used in. mm.	Load Rating lbs. kN.		Bearing Insert	Housing Number	Weight lbs. kg.
		H	A	E	B	S2	S1	G	W	Bi	N	M		Dynamic C _r	Static C _{0r}			
UCWP 201	12	1.188 30.2	4.92 125.0	3.75 95.0	1.26 32.0	0.71 18.0	0.43 11.0	0.55 14.0	2.24 57.0	1.0787 27.4	0.3937 10.0	0.6260 15.9	3/8 M10	2,147 9.55	1,075 4.78	UCW 201	WP 203	1.3 0.6
UCWP 201-8	1/2																	
UCWP 202	15																	
UCWP 202-10	5/8																	
UCWP 203	17	1.313 33.3	5.00 127.0	3.75 95.0	1.50 38.0	0.75 19.0	0.44 11.0	0.56 14.0	2.56 65.0	1.2205 31.0	0.5000 12.7	0.7205 18.3	3/8 M10	2,883 12.82	1,496 6.65	UC 204-12	P 204	1.5 0.7
UCP 204	20																	
UCP 205-14	7/8																	
UCP 205-15	15/16																	
UCP 205	25	1.438 36.5	5.50 140.0	4.13 105.0	1.50 38.0	0.75 19.0	0.44 11.0	0.59 15.0	2.81 71.0	1.3425 34.1	0.5630 14.3	0.7795 19.8	3/8 M10	3,155 14.04	1,810 8.05	UC 205-14	P 205	1.8 0.8
UCP 205-15	15/16																	
UCP 205	25																	
UCP 205-16	1																	
UCP 206-17	1 1/16	1.688 42.9	6.31 160.0	4.75 121.0	1.68 42.0	0.79 20.0	0.56 14.0	0.63 16.0	3.31 84.0	1.5000 38.1	0.6260 15.9	0.8740 22.2	1/2 M12	4,377 19.47	2,569 11.43	UC 206-17	P 206	2.9 1.3
UCP 206-18	1 1/8																	
UCP 206	30																	
UCP 206-19	1 3/16																	
UCP 206-20	1 1/4	1.875 47.6	6.56 167.0	4.96 126.0	1.88 48.0	0.79 20.0	0.59 15.0	0.68 17.0	3.68 93.0	1.6890 42.9	0.6890 17.5	1.0000 25.4	1/2 M14	5,775 25.69	3,497 15.56	UC 207-20	P 207	3.3 1.5
UCP 207-21	1 5/16																	
UCP 207-22	1 3/8																	
UCP 207	35																	
UCP 207-23	1 7/16	1.938 49.2	7.25 184.0	5.44 137.0	2.13 54.0	0.81 21.0	0.59 15.0	0.71 18.0	3.88 98.0	1.9370 49.2	0.7480 19.0	1.1890 30.2	1/2 M14	6,634 29.51	4,079 18.14	UC 208-24	P 208	4.2 1.9
UCP 208-25	1 9/16																	
UCP 208	40																	
UCP 209-26	1 5/8																	
UCP 209-27	1 11/16	2.125 54.0	7.50 190.0	5.75 146.0	2.13 54.0	0.79 20.0	0.59 15.0	0.79 20.0	4.18 106.0	1.9370 49.2	0.7480 19.0	1.1890 30.2	1/2 M14	7,160 31.85	4,676 20.80	UC 209-26	P 209	5.5 2.5
UCP 209-28	1 3/4																	
UCP 209	45																	
UCP 210-30	1 7/8																	
UCP 210-31	1 15/16	2.250 57.2	8.13 206.0	6.25 159.0	2.38 60.0	0.91 23.0	0.71 18.0	0.83 21.0	4.50 114.0	2.0315 51.6	0.7480 19.0	1.2835 32.6	5/8 M16	7,867 35.00	5,330 23.71	UC 210-30	P 210	5.7 2.6
UCP 210-31	1 15/16																	
UCP 210	50																	
UCP 210-32	2																	
UCP 211-32	2	2.500 63.5	8.69 220.0	6.75 172.0	2.38 60.0	0.91 23.0	0.71 18.0	0.91 23.0	4.94 125.0	2.1890 55.6	0.8740 22.2	1.3150 33.4	5/8 M16	9,743 43.34	6,608 29.40	UC 211-32	P 211	7.7 3.5
UCP 211-34	2 1/8																	
UCP 211	55																	
UCP 211-35	2 3/16																	
UCP 212-36	2 1/4	2.750 69.9	9.50 241.0	7.31 186.0	2.75 70.0	0.91 23.0	0.71 18.0	0.98 25.0	5.38 137.0	2.5630 65.1	1.0000 25.4	1.5630 39.7	5/8 M16	10,720 47.69	7,516 33.43	UC 212-36	P 212	9.5 4.3
UCP 212	60																	
UCP 212-38	2 3/8																	
UCP 212-39	2 7/16																	
UCP 213-40 †	2 1/2	3.000 76.2	11.25 286.0	8.00 203.0	3.25 83.0	1.61 41.0	0.80 20.4	1.25 32.0	5.94 151.0	2.5630 65.1	1.0000 25.4	1.5630 39.7	5/8 M18	12,859 57.20	8,994 40.01	UC 213-40	PX 12	11.7 5.3
UCP 213 †	65																	
UCP 214-43 †	2 11/16	3.000 76.2	11.25 286.0	8.00 203.0	3.25 83.0	1.61 41.0	0.80 20.4	1.25 32.0	6.06 154.0	2.9370 74.6	1.1890 30.2	1.7480 44.4	5/8 M18	13,981 62.19	9,869 43.90	UC 214-43	PX 13	14.3 6.5
UCP 214-44 †	2 3/4																	
UCP 214 †	70																	
UCP 215-47	2 15/16	3.250 82.6	10.71 272.0	8.56 217.0	2.83 72.0	1.13 28.0	0.98 25.0	1.13 28.0	6.25 159.0	3.0630 77.8	1.3110 33.3	1.7520 44.5	7/8 M20	14,974 66.61	10,757 47.85	UC 215-47	P 215	15.6 7.1
UCP 215	75																	
UCP 215-48	3																	

† See attached page "Alternate Housing Numbers"

Alternate Housing Numbers

† Sometimes housings are used to make more than one type (i.e. duty level) of mounted bearing unit. For instance, a medium-duty housing (i.e. PX 00 series) might be used to create a normal-duty (i.e. P 200 series) unit.

For example, if you order a UCP 213 pillow block, you may receive a P213 Housing or a PX12 housing. These two housings are dimensionally identical.

The table below shows the catalog number (minus the shaft designation) and the two possible housing numbers.

LIST OF ALTERNATE HOUSING NUMBERS

Catalog Part Number*	Housing Number	Alternate Housing Number
UCP 213	P 213	PX 12
UCP 214	P 214	PX 13
HCAK 208	AK 208	P 208
HCAK 214	AK 214	PX 13
UCFX 05	FX 05	F 206
UCFX 06	FX 06	F 207
UCFX 07	FX 07	F 208
UCFX 08	FX 08	F 209
UCFX 09	FX 09	F 210
UCFX 10	FX 10	F 211
UCFX 11	FX 11	F 212
UCFX 12	FX 12	F 213
UCHA 211	HA 211	HA 212
UCHA 214	HA 214	HA 215
UCFCSX 05	FCSX 05	FCS 206
UCFCSX 06	FCSX 06	FCS 207
UCFCSX 07	FCXS 07	FCS 208
UCFCSX 08	FCXS 08	FCS 209
UCFCSX 09	FCXS 09	FCS 210
UCFCSX 10	FCXS 10	FCS 211
UCFCSX 11	FCXS 11	FCS 212
UCFCSX 12	FCXS 12	FCS 213
UCFCSX 13	FCXS 13	FCS 214
UCFCSX 14	FCXS14	FCS 215

*Minus shaft designation